

# *Add-A-Room*

3" Thermally broken  
2" Non-thermal



# Add-A-Room

The Elite Add-A-Room system is surprisingly flexible, affordable and easily installed. It is clearly the ideal answer for the home with everything...but space! It brings a new dimension to any size living area with custom designs to meet a wide variety of uses and can be constructed in about a day.

The Add-A-Room system is totally adaptable and compatible with, or without existing roofs, foundations, porches and decks. It is available in a 2" (non-thermal) and 3" (Thermal) configuration and offers an attractive array of interior and exterior colors and options.

Not only is the Add-A-Room aesthetically appealing, it saves money. Its energy efficient design will cut heating and cooling costs and is fashioned for maximum durability in hot or cold weather, wind and rain.

All materials come with diagrams for installation, saving costly time and labor costs on location.

## **INSULATED PANELS REDUCE ENERGY COSTS**

Each panel's core consists of expanded polystyrene, a product used in freezer, refrigerator and cooler walls to achieve the most energy efficient means of temperature control. The core is impervious to moisture, insects and mildew. The insulation value of each panel is equal to approximately 5" of fiberglass, 10" of hardwood or 48" of brick.

## **10 YEAR WARRANTY**

Elite Panel Product Products Corporation manufactures panel products from the highest grade materials by skilled craftsmen to meet the highest standards of workmanship in the industry. Elite's Add-A-Room system carries a limited warranty against crazing, cracking, chipping, peeling, blistering or delamination for 10 years.

## **OPTIONAL FEATURES**

Add-A-Room offers numerous optional features, including;

- Wall facings finished with Durashield, Aluminum, Interior paneling, Masonite, etc.
- Extrusion colors are available in white, almond or bronze.
- Chase is available for electric, skylights and many more.

## **QUICK AND EASY INSTALLATION**

The maintenance free Add-A-Room can be installed in about a day. Elite's insulated panels replace, in one simple installation, the time, supplies and labor formerly used in constructing with concrete block, wood, sheetrock and plaster. Both finished sides of the insulated panels are installed simultaneously, eliminating huge amounts of labor and costs involved in conventional construction.

## **HURRICANE AND BUILDING CODE APPROVED**

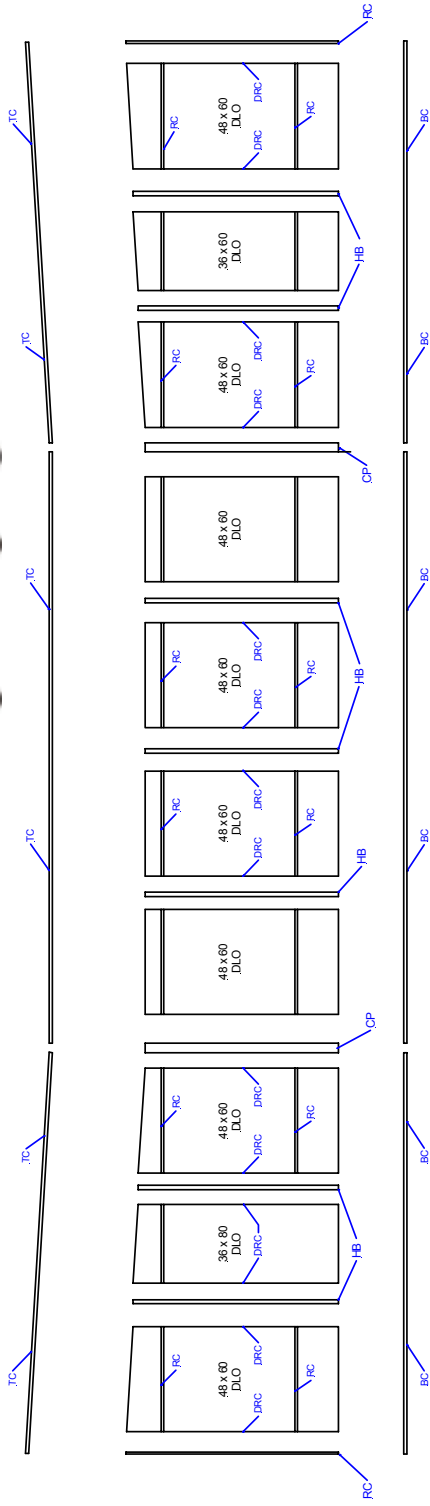
Elite's Add-A-Room can be constructed to meet building code standards in your area. The Add-A-Room is Hurricane Code approved. Standard panels meet loading and wind load requirements.

## **COLOR and FINISH AVAILABILITY**

Roof panels and wall panels are available in variety of colors. Ask Elite Aluminum Corp. for samples.



# Add-A-Room!

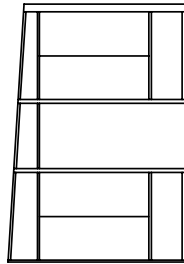


EXAMPLE CENTER WALL SECTION

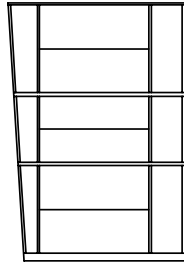
$$4 \times 1/4" + 48" + 2" + 48" + 2" + 48" + 2" + 48" + 4 \times 1/4" = 206 \ 1/2"$$



TOTAL COVERAGE = 206 1/2"

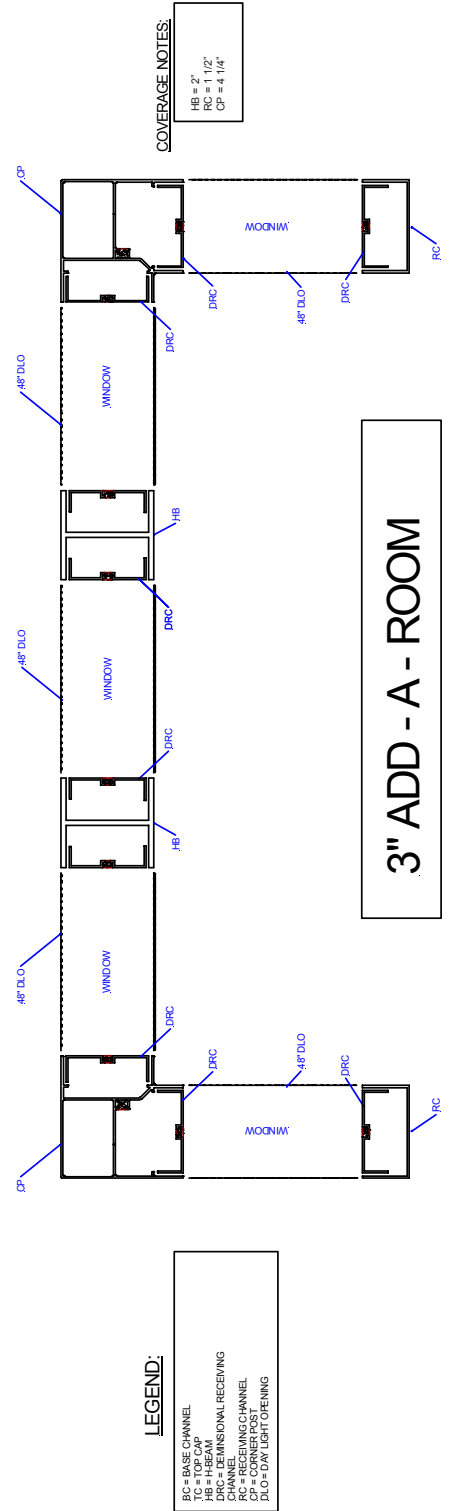


TOTAL COVERAGE = 141 3/4"



TOTAL COVERAGE = 141 3/4"

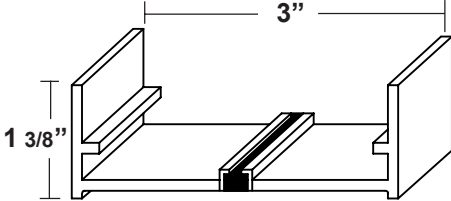
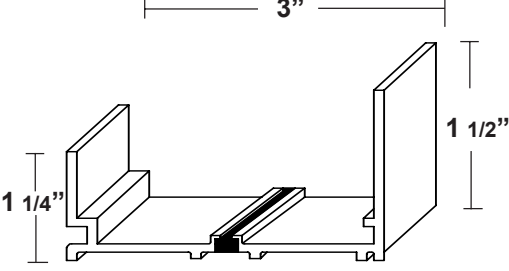
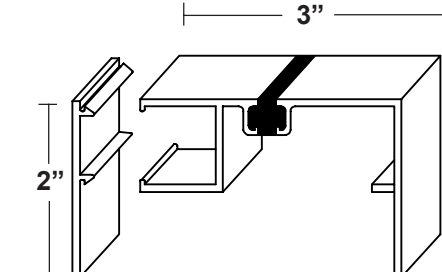
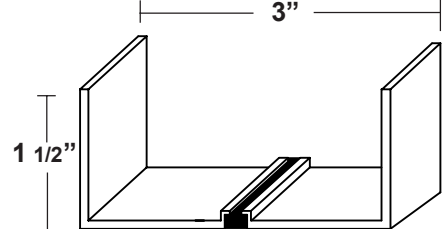
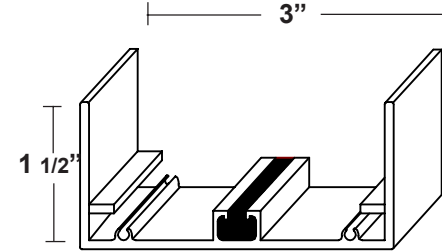
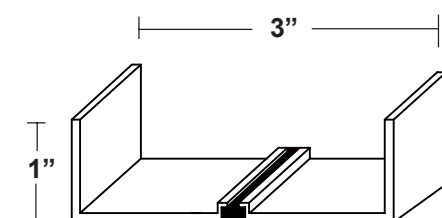
THE ABOVE DIAGRAM INDICATES TOTAL COVERAGE DIMENSIONS FOR ALL EXTRUDED VERTICAL SHAPES ADDED WITH ALL DAYLIGHT OPENING DIMENSIONS.

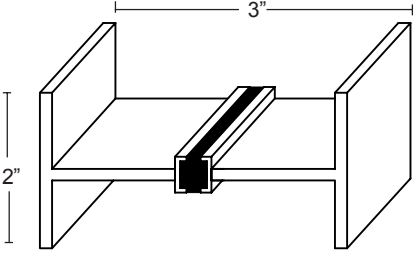
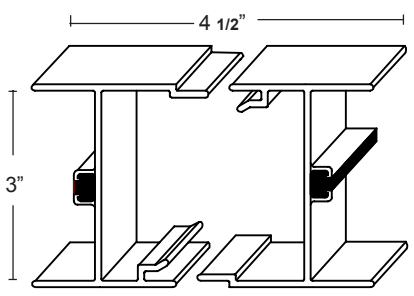
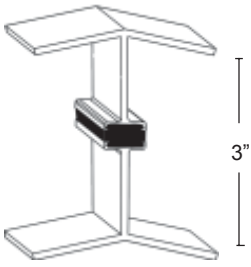
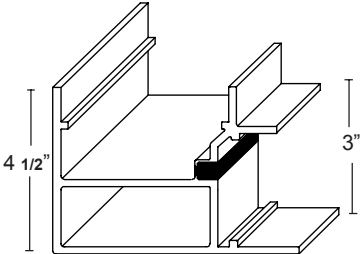
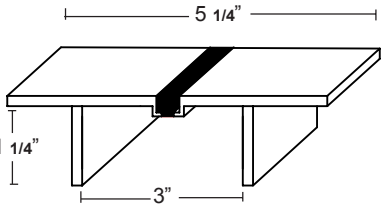
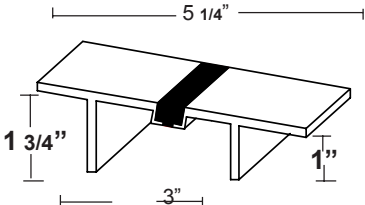


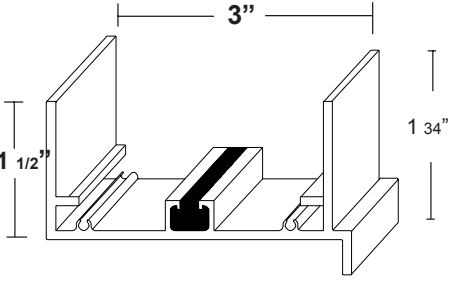
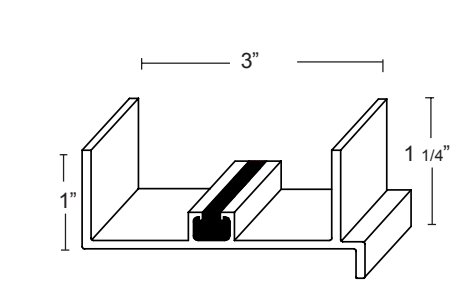
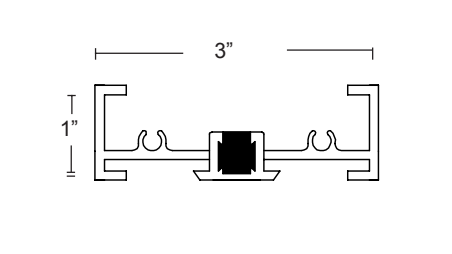
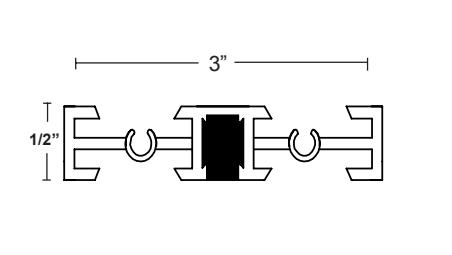
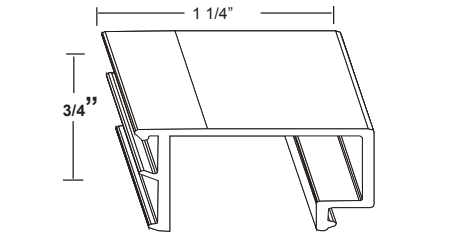
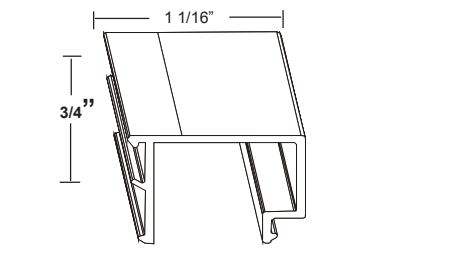
**LEGEND:**  
 BC = BASE CHANNEL  
 HB = HORIZONTAL BASE  
 DRC = DIMENSIONAL RECEIVING CHANNEL  
 CP = CORNER POST  
 DLO = DAY LIGHT OPENING

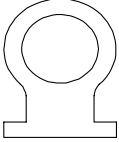
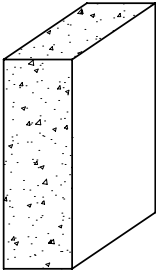
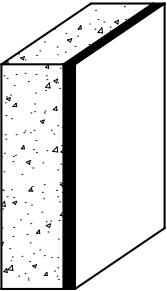

**COVERAGE NOTES:**  
 HB = 2"  
 RC = 1 1/2"  
 CP = 4 1/4"

**3'' ADD - A - ROOM**

ITEM	USE/DESCRIPTION	SPEC
	<p><b>CABANA BASE</b> SKU # ~ 60601-1</p> <p>Designed to anchor wall panels and extruded vertical members to the foundation. Can also be used as a top cap.</p>	<p><b>Length:</b> 24'</p> <p><b>Color:</b> Almond~Bronze Ivory~White</p>
	<p><b>BASE CHANNEL W/WEEP</b> SKU # ~ 60601- 47</p> <p>Designed to anchor wall panels and extruded vertical members to the foundation and diverts any moisture intrusion to weep out, before it can enter occupied space.</p>	<p><b>Length:</b> 24'</p> <p><b>Color:</b> Almond~Bronze Ivory~White</p>
	<p><b>CHANNEL W/CHASE &amp; SNAP</b> SKU # ~ 60601- 100/99</p> <p>Designed, as a 2 peice system that provides an accessible chase to wire for electrics. This channel simplifies installation under an existing roof and can be used as a base or top cap for the wall system.</p>	<p><b>Length:</b> 24'</p> <p><b>Color:</b> Almond~Bronze IWhite</p>
	<p><b>RECEIVING CHANNEL</b> SKU # ~ 60601-2</p> <p>Designed for use as starting channel on host structure. Also used to cap insulated panels used for transom and knee wall.</p>	<p><b>Length:</b> 24'</p> <p><b>Color:</b> Almond~Bronze Ivory~White</p>
	<p><b>RECEIVING CHANNEL W/SCREW BOSS</b> SKU # ~ 98</p> <p>Designed for use in the prefabrication of wall sections with the self-mating "H" beam (60601-76). Functions as a cap for insulated panels used for kneewalls and transoms. Also used as a starting channel on a <b>host structure</b>.</p>	<p><b>Length:</b> 24'</p> <p><b>Color:</b> Almond~Bronze White</p>
	<p><b>DRC (Dimensional Receiving Channel)</b> SKU # ~ 60601-4</p> <p>Specifically designed to finish the H-Beam on both sides of windows and doors.</p>	<p><b>Length:</b> 25'</p> <p><b>Color:</b> Almond~Bronze Ivory~White</p>

ITEM	DESCRIPTION	SPEC
	<p><b>"H" BEAM</b> SKU # ~ 60601-3</p> <p>Designed as a vertical support on both sides of windows &amp; doors. Also used as a connection between solid wall panels</p>	<p><b>Length:</b> 24'</p> <p><b>Color:</b> Almond~Bronze Ivory~White</p>
	<p><b>SELF MATING H-BEAM BEAM</b> SKU # ~ 60601-76</p> <p>Designed to allow for the prefabrication of wall sections. May also be used to conceal outlet and switch boxes when wiring for electric. Also provides vertical support on both sides of windows and doors.</p>	<p><b>Length:</b> 24'</p> <p><b>Color:</b> Almond~Bronze White</p>
	<p><b>RIDGE BEAM, FIXED - 3"</b> SKU # ~ 60601-38</p> <p>Designed as a column or corner at a junction where a 72 degree is required, such as a bay wall.</p>	<p><b>Length:</b> 24'</p> <p><b>Color:</b> Almond White</p>
	<p><b>CORNER POST</b> SKU # ~ 60601-7/9</p> <p>Designed to connect fill or wall panels at 90° corners and provide vertical structural support.</p>	<p><b>Length:</b> 60601-7 -8' 60601-9 -24'</p> <p><b>Color:</b> Almond~Bronze White</p>
	<p><b>TOP CAP, FLAT</b> SKU # ~ 60601-5</p> <p>Designed to cap the wall system and to connect the roof to the wall</p>	<p><b>Length:</b> 24'</p> <p><b>Color:</b> Almond~Bronze Ivory~White</p>
	<p><b>3/12 TOP CAP</b> SKU # ~ 60601-6</p> <p>Designed to cap the wall system and to connect the roof at a 3/12 slope to the wall</p>	<p><b>Length:</b> 24'</p> <p><b>Color:</b> Almond Bronze White</p>

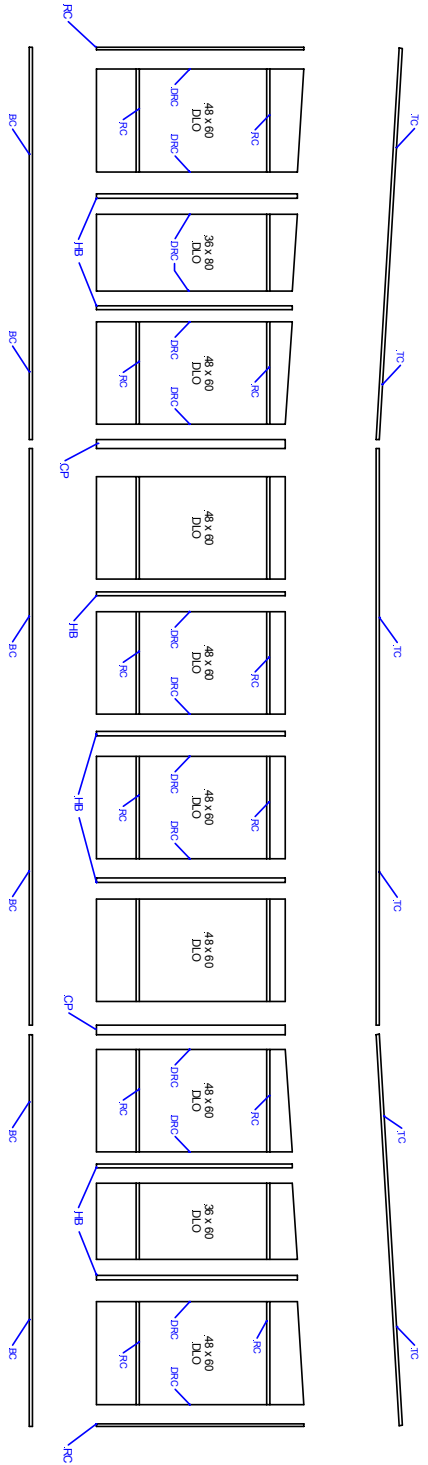
ITEM	DESCRIPTION	SPEC
	<p><b>RECEIVING CHANNEL W/FLANGE</b> SKU # ~ 60601-84</p> <p>Designed to cap insulated panels used for transom and knee wall. The flange allows for the installation of windows with a 3 1/4" deep profile.</p>	<p><b>Length:</b> 24'</p> <p><b>Color:</b> Almond~Bronze White</p>
	<p><b>DRC WITH FLANGE</b> SKU #~60601-83</p> <p>Designed to finish the H-Beam on both sides of windows and doors. The flange allows for the installation of windows with a 3 1/4" deep profile.</p>	<p><b>Length:</b> 24'</p> <p><b>Color:</b> Almond~Bronze White</p>
	<p><b>UNIVERSAL DOOR ADAPTER</b> SKU # ~ 26024</p> <p>Designed to replace DRC, and to finish H-Beam on both sides of door when using the Elite 3000 series door.</p>	<p><b>Length:</b> 24'</p> <p><b>Color:</b> Almond Bronze White</p>
	<p><b>UNIVERSAL GLASS ADAPTER</b> SKU # ~ 26023</p> <p>Designed to receive glazing clips for fixed glass applications. For use with single glazed or insulated glass in transom or kneewall areas.</p>	<p><b>Length:</b> 24'</p> <p><b>Color:</b> Almond Bronze White</p>
	<p><b>SQUARE GLAZING CLIP for 1/4" or 3/16" GLASS</b> SKU # ~ 26037</p> <p>Designed for use with universal glass adapter for fixed glass applications.</p>	<p><b>Length:</b> 24'</p> <p><b>Color:</b> Almond Bronze White</p>
	<p><b>SQUARE GLAZING CLIP for 1/2" or 5/8" GLASS</b> SKU # ~ 26039</p> <p>Designed for use with universal glass adapter for fixed glass applications.</p>	<p><b>Length:</b> 24'</p> <p><b>Color:</b> Almond Bronze White</p>

ITEM	DESCRIPTION	SPEC
	<p><b>ROUNDED WEATHER SEAL BULB VINYL</b> SKU # ~ 23001</p> <p>Designed as a weather seal for glazing clips.</p>	<p><b>Length:</b> 280'</p> <p><b>Color:</b> Almond Bronze White</p>
	<p><b>WALL PANEL</b> SKU # ~ 60201-13</p> <p>Used in the kneewall and transom areas of wall sections. Used for vertical fill where needed.</p>	<p><b>Facing Options:</b> Aluminum Durashield Interior Paneling <b>Colors:</b> Refer to color samples</p>
	<p><b>WALL PANEL W/15 MINUTE THERMAL SEPARATION</b> SKU # ~ 60601-</p> <p><b>*FOR USE WHEN CODE REQUIRES 1/2" GYPSUM BOARD OR EQUAL</b></p> <p>For kneewall and transom areas of wall sections. Used for vertical fill where needed.</p>	<p><b>Facing Options:</b> Aluminum Durashield Interior Paneling <b>Colors:</b> Refer to color samples</p>
	<p><b>WALL PANEL W/1 HOUR THERMAL SEPARATION</b> SKU # ~ 60601-</p> <p><b>*FOR USE WHEN CODE REQUIRES A ONE HOUR SEPARATION</b></p> <p>For kneewall and transom areas of wall sections. Used for vertical fill where needed.</p>	<p><b>Facing Options:</b> Aluminum Durashield Interior Paneling <b>Colors:</b> Refer to color samples</p>

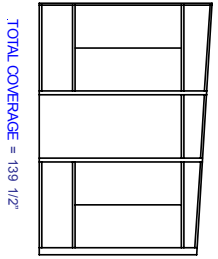
\*For Elite Panel information, or electrics refer to 2" Add-A-Room



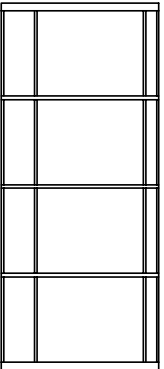
# Add-A-Room



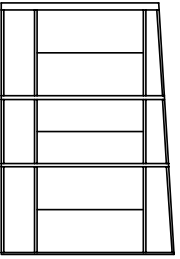
EXAMPLE CENTER WALL SECTION  
 $3' + 48" + 1.5" + 48" + 1.5" + 48" + 1.5" + 48" + 3" = 202 \frac{1}{2}"$



TOTAL COVERAGE = 139 1/2"



TOTAL COVERAGE = 202 1/2"

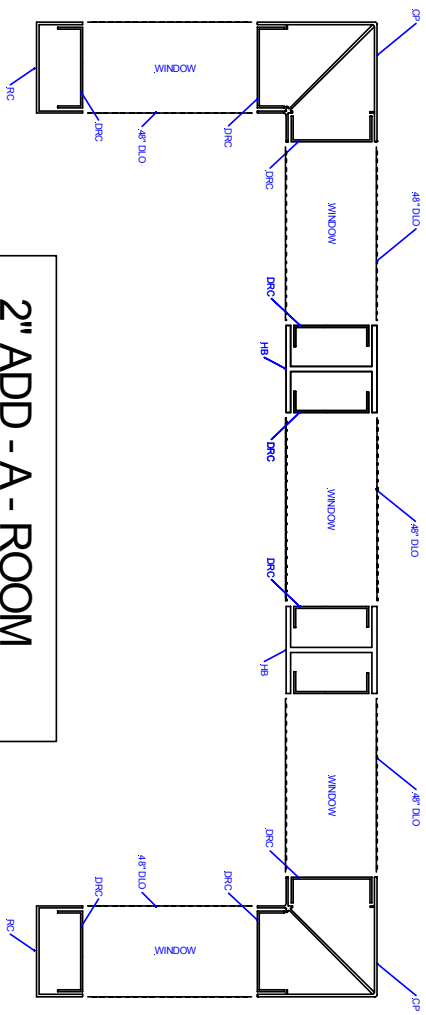


TOTAL COVERAGE = 139 1/2"

THE ABOVE DIAGRAM INDICATES COVERAGE DIMENSIONS FOR ALL EXTRUDED VERTICAL SHAPES ADDED WITH ALL DAYLIGHT OPENING DIMENSIONS.

### LEGEND:

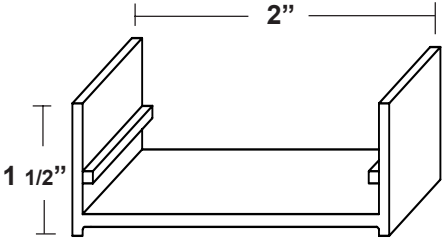
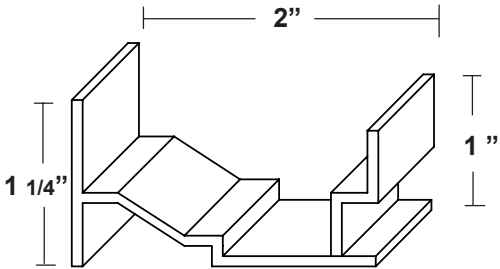
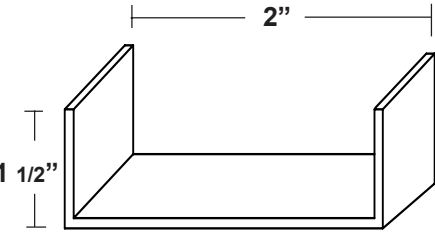
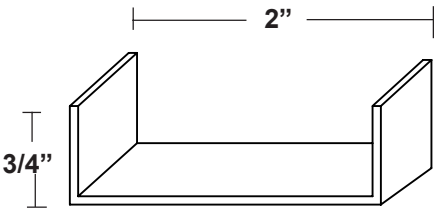
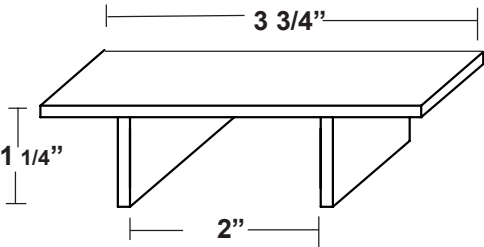
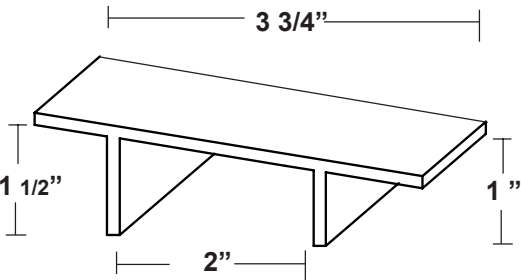
- BC = BASE CHANNEL
- TIC = TOP CAP
- RC = READING CHANNEL
- DRC = DIMENSIONAL RECEIVING CHANNEL
- CP = CORNER POST
- DLO = DAYLIGHT OPENING

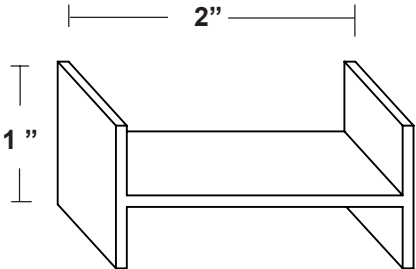
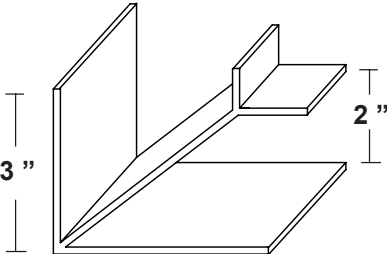
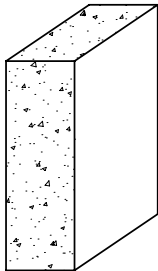
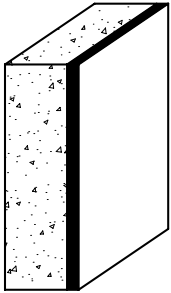



2" ADD - A - ROOM

### COVERAGE NOTES:

- HB = 11/2"
- DRC = 11/2"
- CP = 3"

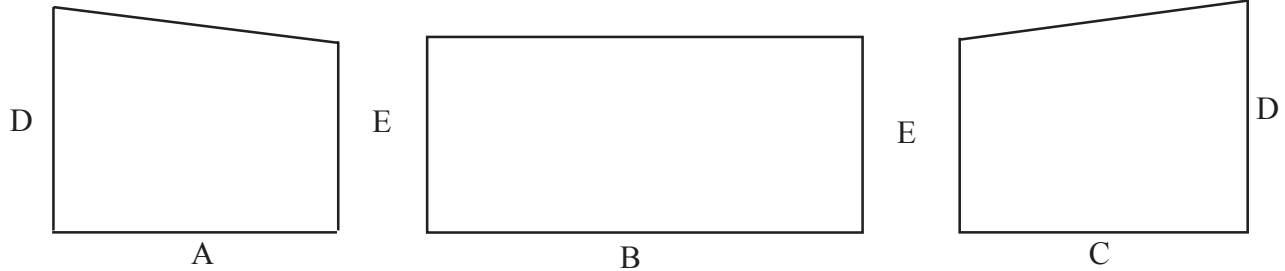
ITEM	DESCRIPTION	SPEC
	<p><b>CABANA BASE</b> SKU # ~ 60601-14</p> <p>Designed to anchor wall panels and extruded vertical members to the foundation. Can also be used as a top cap.</p>	<p><b>Length:</b> 24'</p> <p><b>Color:</b> Almond~Bronze White</p>
	<p><b>BASECHANNEL, SLOPED</b> SKU # ~ 60601-13</p> <p>Designed to anchor wall panels and extruded vertical members to the foundation and diverts any moisture intrusion to weep out, before it can enter occupied space.</p>	<p><b>Length:</b> 24'</p> <p><b>Color:</b> Almond~Bronze White</p>
	<p><b>RECEIVING CHANNEL</b> SKU # ~ 60601-16</p> <p>Designed for use as starting channel on the host structure. Also used to cap insulated panels and to be used for transoms and knee walls.</p>	<p><b>Length:</b> 24'</p> <p><b>Color:</b> Almond~Bronze White</p>
	<p><b>DRC (DIMENSIONAL RECEIVING CHANNEL)</b> SKU # ~ 60601-18</p> <p>Specifically designed to finish the H-Beam on both sides of windows and doors</p>	<p><b>Length:</b> 24'</p> <p><b>Color:</b> Almond~Bronze White</p>
	<p><b>TOP CAP, FLAT</b> SKU # ~ 60601-15</p> <p>Designed to cap the wall system and to connect the roof to the wall</p>	<p><b>Length:</b> 24'</p> <p><b>Color:</b> Almond~Bronze White</p>
	<p><b>3/12 TOP CAP</b> SKU # ~ 60601-51</p> <p>Designed to cap the wall system and to connect the roof at a 3/12" slope to the wall</p>	<p><b>Length:</b> 24'</p> <p><b>Color:</b> White~Bronze</p>

ITEM	DESCRIPTION	SPEC
	<p align="center"><b>"H" BEAM</b> SKU # ~ 60601-17</p> <p>Designed as a vertical support on both sides of windows &amp; doors. Also used as a connection between solid wall panels</p>	<p><b>Length:</b> 24'</p> <p><b>Color:</b> Almond~Bronze White</p>
	<p align="center"><b>CORNER POST</b> SKU # ~ 60601-19/20/21</p> <p>Designed for vertical support and to connect fill panels or wall sections at 90° corners.</p>	<p><b>Length:</b> 60601-19-8' 60601-20-16' 60601-21-24'</p> <p><b>Color:</b> Almond~Bronze White</p>
	<p align="center"><b>WALL PANEL</b> SKU # ~ 60201-2</p> <p>Used in the kneewall and transom areas of wall sections. Used for vertical fill where needed. Width &amp; Height are custom fabricated on site.</p>	<p><b>Facing Options:</b> Aluminum Durashield Interior Paneling <b>Colors:</b> Refer to color samples</p>
	<p align="center"><b>WALL PANEL W/15 MINUTE THERMAL SEPARATION</b> SKU # ~ 60601-</p> <p><b>*FOR USE WHEN CODE REQUIRES 1/2" GYPSUM BOARD OR EQUAL</b></p> <p>For kneewall and transom areas of wall sections. Used for vertical fill where needed.</p>	<p><b>Facing Options:</b> Aluminum Durashield Interior Paneling <b>Colors:</b> Refer to color samples</p>
	<p align="center"><b>WALL PANEL W/1 HOUR THERMAL SEPARATION</b> SKU # ~ 60601-</p> <p><b>*FOR USE WHEN CODE REQUIRES A ONE HOUR SEPARATION</b></p> <p>For kneewall and transom areas of wall sections. Used for vertical fill where needed.</p>	<p><b>Facing Options:</b> Aluminum Durashield Interior Paneling <b>Colors:</b> Refer to color samples</p>

## Measuring Add-A-Room Walls

Dimensions needed are as follows; Projection of each side wall, width of front wall, starting height of each side wall against existing structure and height of front wall.

**Note:** Measurements taken should be outside to outside dimensions



**A=12ft    B=17 ft    C=12ft    D=8 ft    E=7ft 6in**

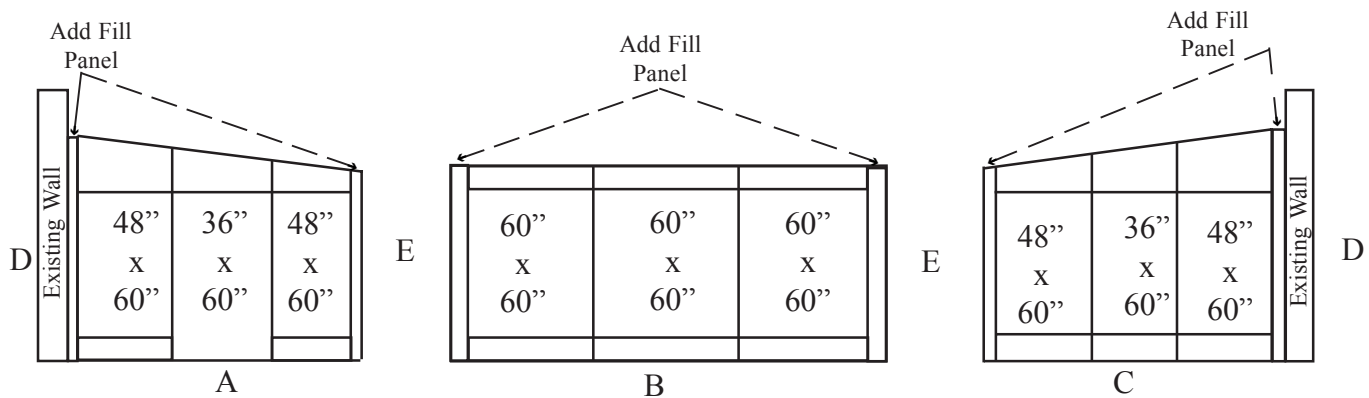
~Daylight opening dimensions for windows, doors and knee wall heights can be fabricated to your specs.

~ The filler sections are cut from stock panels. They will be cut to required sizes at the time of installation.

When designing walls, please use the master plan drawing to know your overall height and daylight opening width restrictions.

### Positioning the filler:

The filler sections are very versatile. One 4' section could yield as many as four 1' fillers. If fillers are narrow, we suggest you use them at the corners. If fillers are wide, we suggest you split and use them at corners and existing structure. Fill panel can be placed anywhere in wall system for specialty design.



**A=12 ft    B=17 ft    C=12 ft.    D=8 ft    E=7ft 6in**



Aerial View of Elite's 200,000+ Sq. Ft. facility  
Inaugurated January 2004

**Elite Aluminum Corporation**

4650 Lyons Technology Parkway

Coconut Creek, FL 33073

Tel: (954) 949-3200

Fax: (954) 949-3201

FL WATS: (800) 421-0682

US WATS: (800) 535-4837

Email: [Info@elitealuminum.com](mailto:Info@elitealuminum.com)